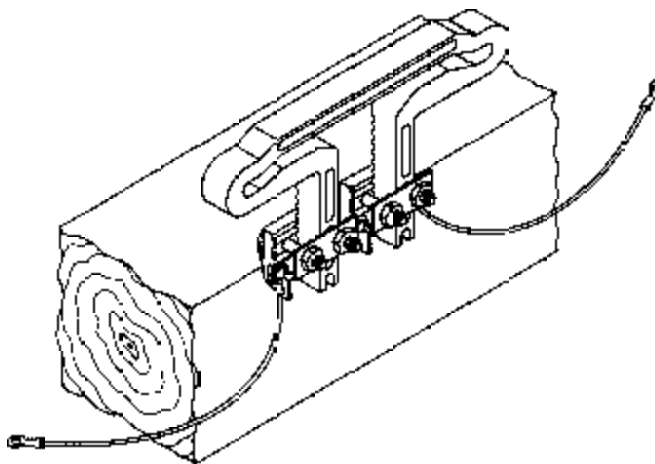


# DRAGGING EQUIPMENT DETECTOR



Safetran Dragging Equipment Detector is especially suited for use at approaching interlockings, tunnels, bridges, or other locations to detect any defective equipment that might possibly be hanging beneath cars or locomotives and might cause damage or derailment. Installed at car inspection pits in classification yards, it can be used to warn inspectors of such defects on approaching cars. Operation is simple. Detector arms are broken by dragging equipment, opening electrical circuit.

The detector assembly consists of galvanized gray cast iron detector arms, galvanized steel supports, insulated Bond Strand connectors, a bootleg for circuit connections, and all mounting hardware for standard 9 inch tie.

Optional ice and snow deflectors, of formed 14 gauge galvanized steel, can be furnished when requested. Mounting hardware is supplied for lagging to the top of the tie.

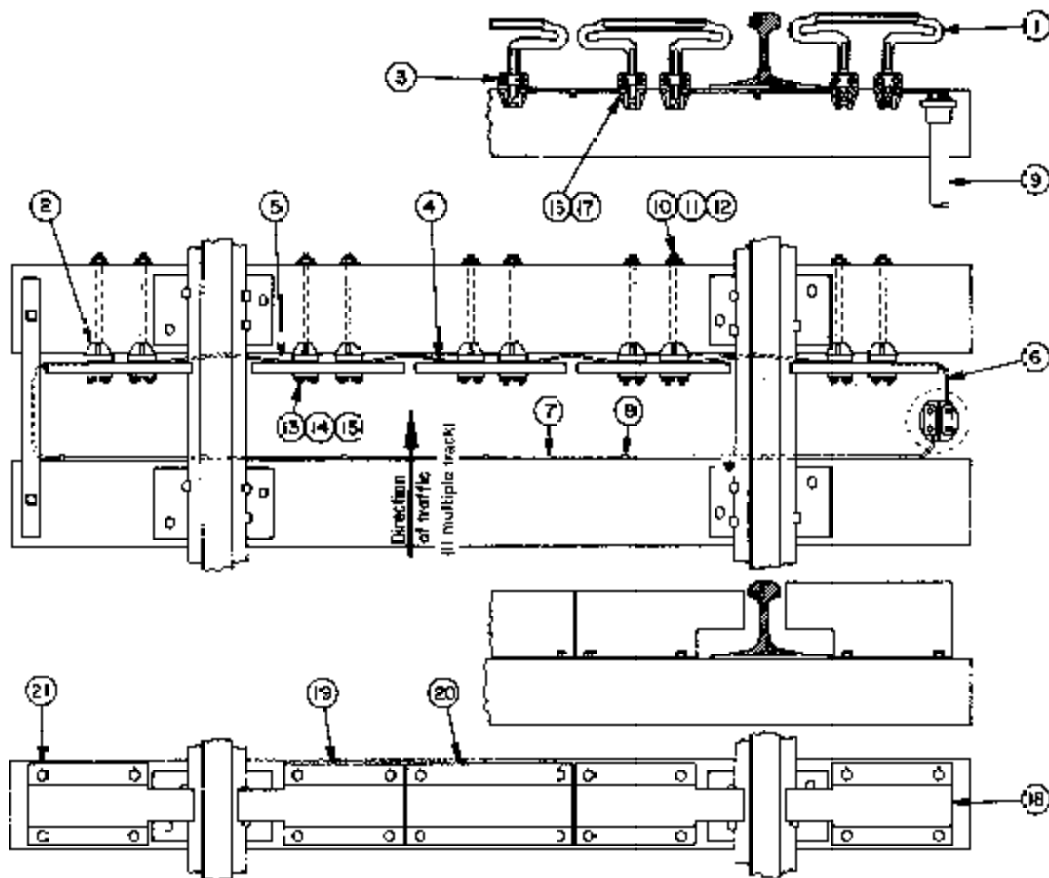
## ORDERING INFORMATION

To order, specify description and part number.

Description	Part Number
Dragging Equipment Detector Assembly (Items 1-17)	110454-13X
Ice and Snow Deflector Assembly (Items 18-21)	110454-10X

# REPLACEMENT PARTS

## DRAGGING EQUIPMENT DETECTOR ASSEMBLY



To order, specify description and part number.

Item No.	Description	Qty. Req'd.	Part Number
1	Arm, Detector	5	110454-8
2	Support, Detector Arm	10	110454-7
3	Cap, Support	10	110454-2
4	Connector, 12 inch	2	110454-3X
5	Connector, 18 inch	2	110454-5X
6	Connector, 14 inch	1	110454-4X
7	Connector, 10 feet	1	110454-6X
8	Clip, Connector	10	021378-23X
9	Bootleg, Model 563	1	090563-1X
10	Machine Screw, Square Head, 3/4" - 10 x 11"	10	8093-SC
11	Washer, Wrought, 3/4"	10	1758-SC
12	Nut, Hex, 3/4" - 10	10	2207-SC
13	Machine Screw, Square Head, 1/2" - 13 x 3"	20	7997-SC
14	Washer, Spring Lock, M, 1/2"	20	1812-MSC
15	Nut, Hex, 1/2" - 13	20	2108-SC
16	Machine Screw, Hex Head, 1/4" - 20 x .875"	20	2661-HSC
17	Washer, Spring Lock, M, 1/4"	20	1808-MSC
18	Deflector, Outside	2	110454-10
19	Deflector, Inside	2	110454-11
20	Deflector, Center	1	110454-12
21	Lag Bolt, Square Head, 1/4" x 3"	20	5102-14