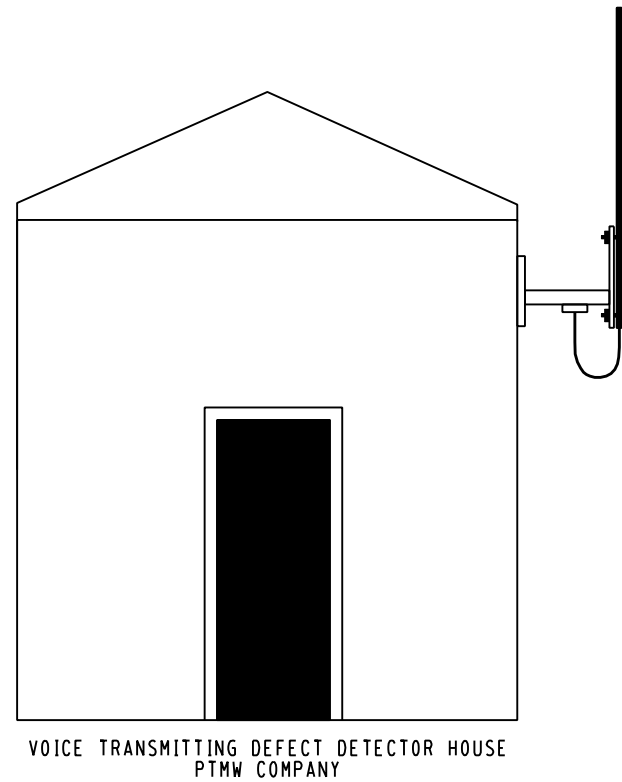
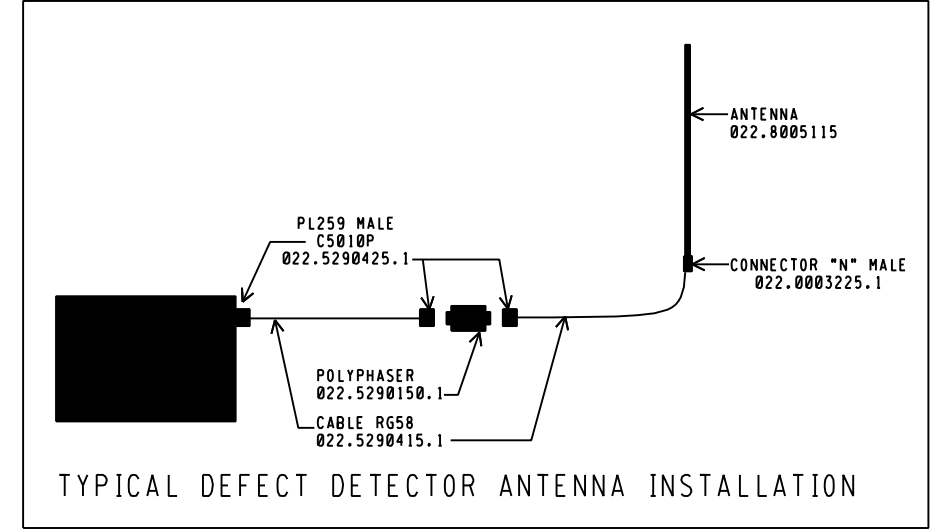


ICOM F5061  
MOBILE RADIO  
SEE DWG TYPLR094.A01

- NOTES**
- 1 - INSTALLER TO RUN RF JUMPER FROM RADIO TO RF CONNECTOR & JUMPER FROM RF CONNECTOR TO POLYPHASER TO ANTENNA
  - 2 - POLYPHASER TO BE MOUNTED INSIDE & GROUNDED
  - 3 - ANTENNA BRACKET IS PROVIDED
  - 4 - THERE WILL BE (2) SPARE PINS ON EACH SIDE OF THE CDM RADIO ACCESSORY CONNECTOR



**THIS PLAN SUPERSEDES ALL OTHERS OF PREVIOUS DATE DESTROY OLD PLANS**

ASSOCIATED DRAWINGS	REVISIONS	REVISIONS	REVISIONS	DESIGNED BY JRM		GE CYBERSCAN 2000 WITH ICOM # F5061 RADIO	DRAWING # FILE SYSTR071
				DATE 06-18-08		DIGITIZED BY DJW	TALKING DEFECT DETECTOR w/ SQUELCH CONTROL TYPICAL WIRING