

12VDC INPUT



①

②

AUDIO COMMON

③

XMIT KEY

④

XMIT AUDIO

⑤

LOCAL SPEAKER

⑥

FOR FUTURE DEI USE

⑦

⑧

⑨

DRAG EQPT CIRCUIT



⑩

⑪

TRACK CIRCUIT



⑫

⑬

WHEEL GATE XDCR



⑭

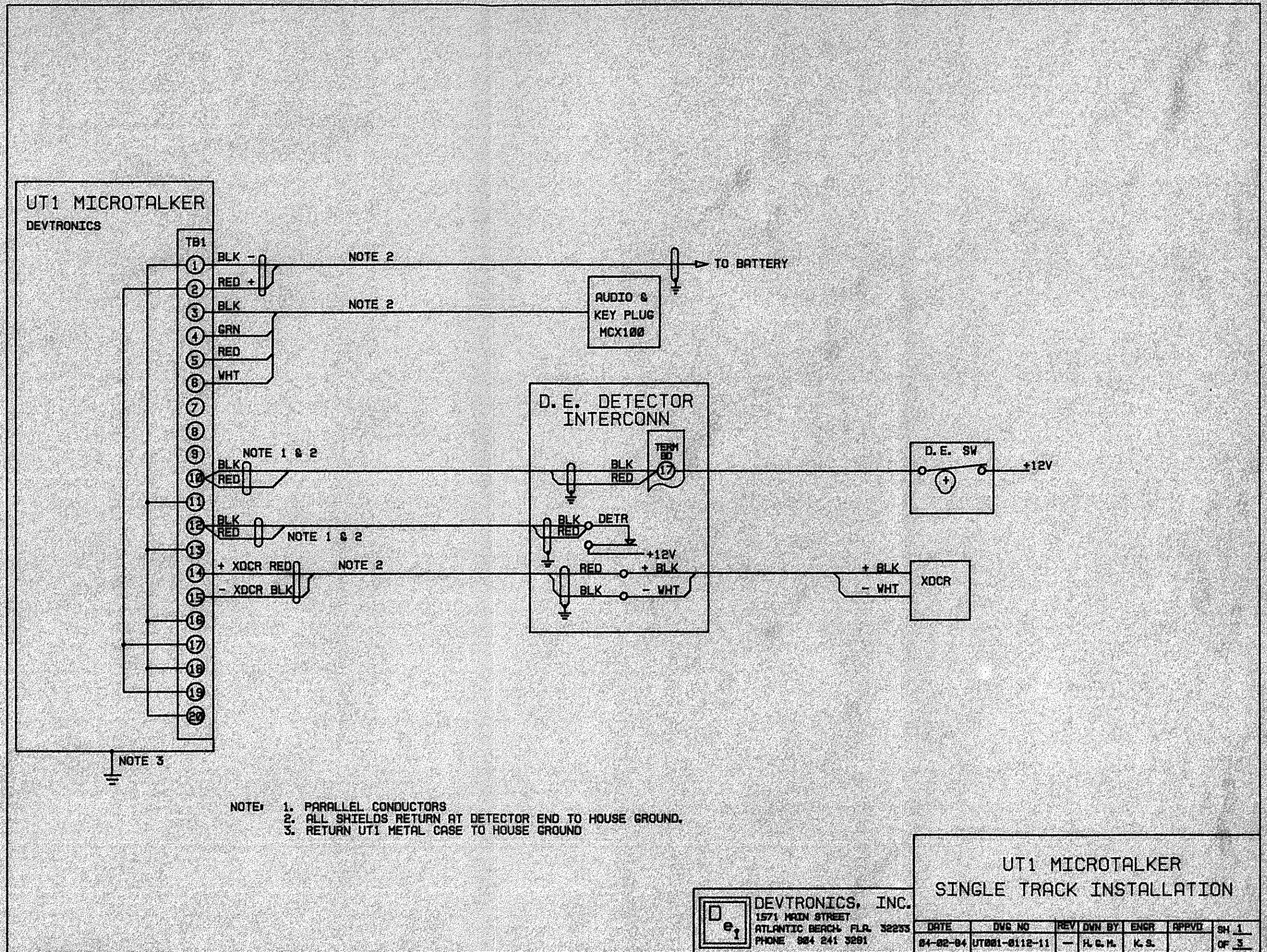
⑮

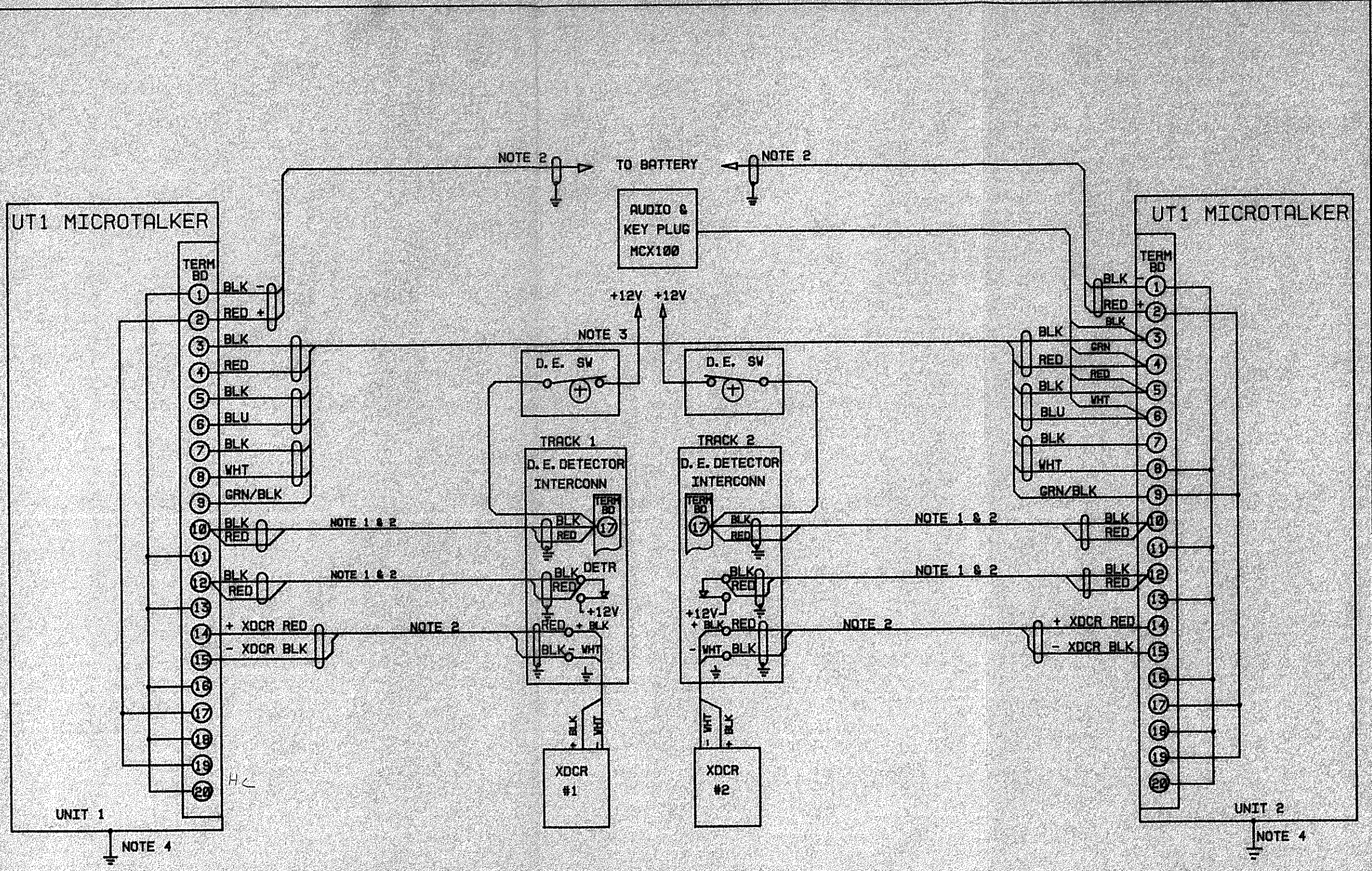
*Wrong Polarity*

 **DEVTRONICS, INC.**  
1571 MAIN STREET  
ATLANTIC BEACH, FLA. 32233  
PHONE 904 241 3201

MICRO-TALKER I/O PROTOCOL

DATE	DWG NO	REV	DWN BY	ENGR	APPVD	SH
81-04-04	MT001-0044-31			HGM	RDD	1
						OF 1



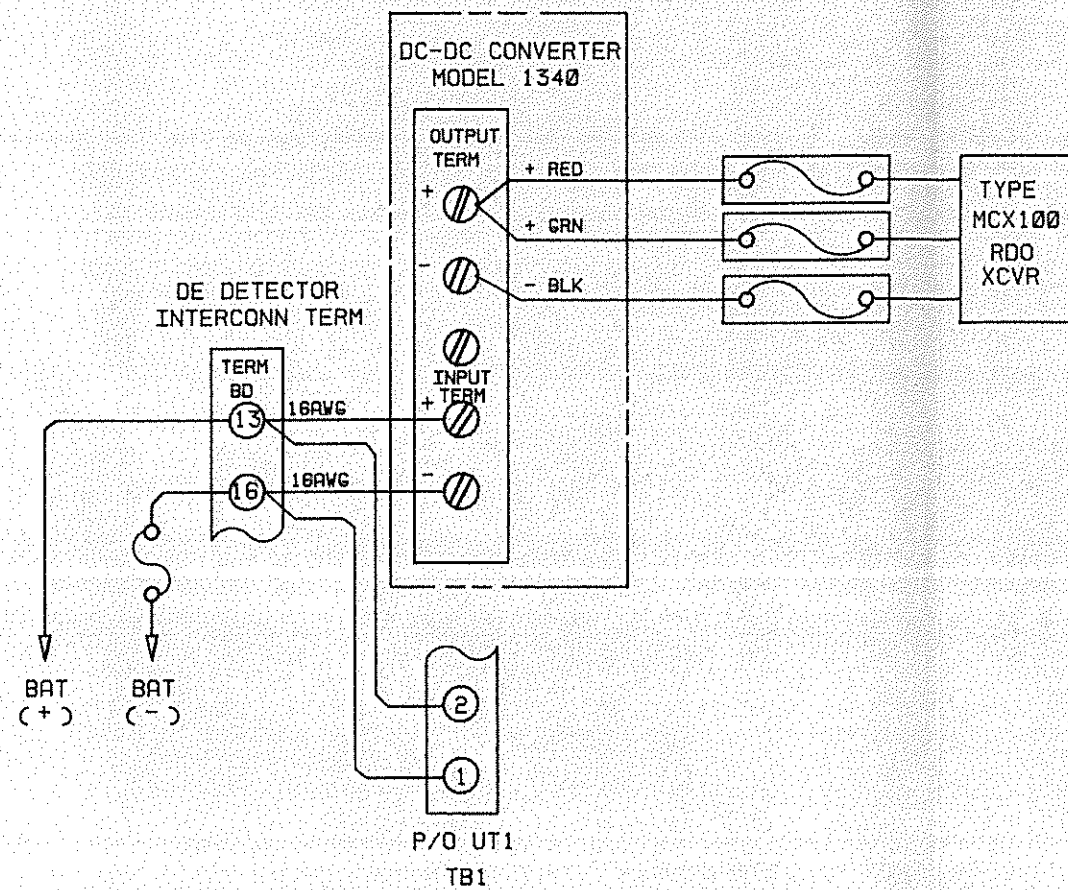


- NOTE:
1. PARALLEL CONDUCTORS
  2. ALL SHIELDS RETURN AT DETECTOR END TO HOUSE GROUND.
  3. DO NOT CONNECT SHIELDS.
  4. RETURN UT1 METAL CASE TO HOUSE GROUND.

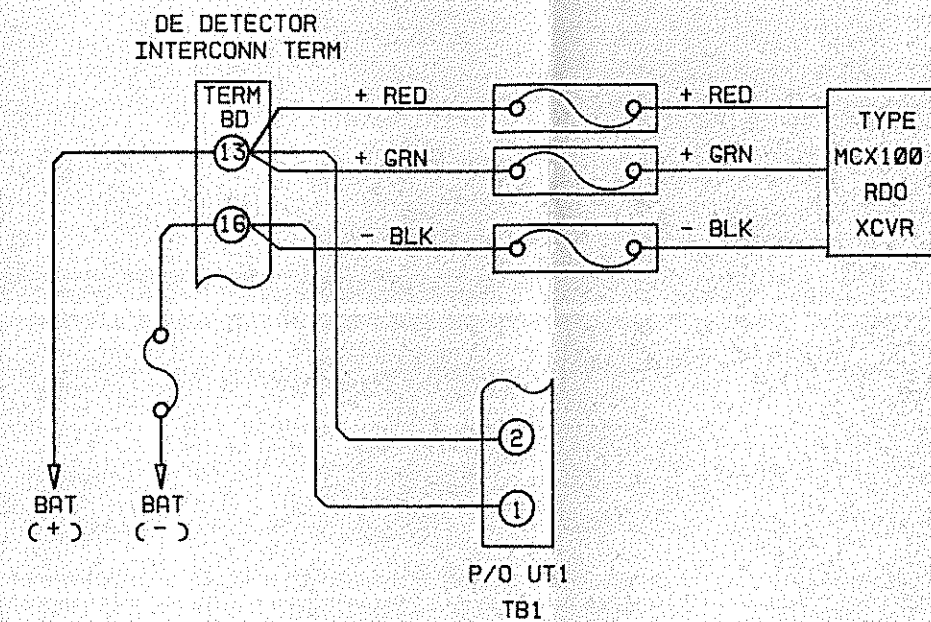
**UT1 MICROTALKER  
DOUBLE TRACK INSTALLATION**

**DEVTRONICS, INC.**  
 1571 MAIN STREET  
 ATLANTIC BEACH, FLA. 32233  
 PHONE 904 241 3281

DATE	DWG NO	REV	OWN BY	ENGR	APPVD	SH 2 OF 3
84-02-84	UT001-0112-11	—	H.C.H.	K.S.		



WITH DC - DC CONVERTER  
DE DETECTOR



WITHOUT DC -DC CONVERTER  
DE DETECTOR

UT1 MICROTALKER  
DC - DC CONVERTER

**De** DEVTRONICS, INC.  
1571 MAIN STREET  
ATLANTIC BEACH, FLA. 32233  
PHONE 904 241 3281

DATE	DWG NO	REV	DWN BY	ENGR	APPVD	SH
04-02-84	UT001-0112-11	-	H. G. M.	K. S.		3